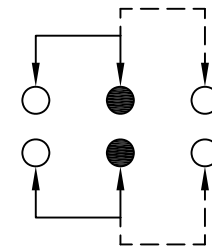
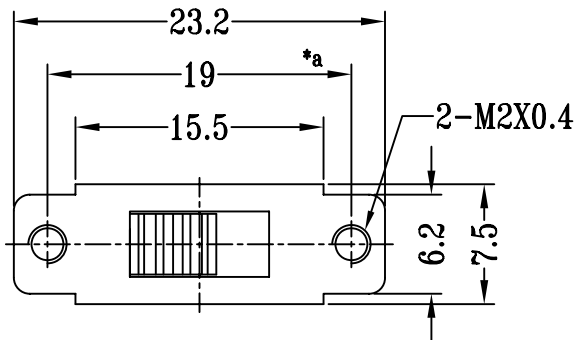
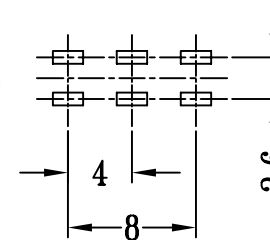
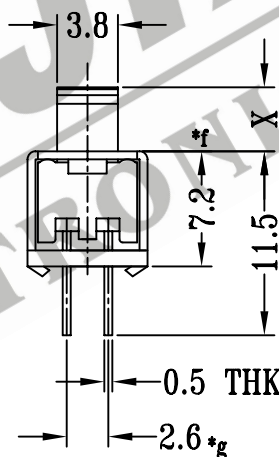
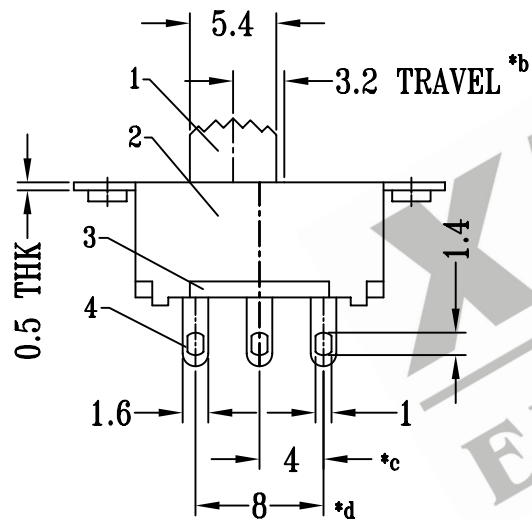


CAD FILE:



SCHEMATIC (NON-SHORTING)



P.C.B LAYOUT

注:带*表示关键尺寸(7个)

NO.	PART NAME	MATERIAL	Q'TY	FINISHING	TOLERANCE UNLESS SPECIFIED	SHENZHEN XIEJIA ELECTRONICS CO.,LTD.																								
8						<table border="1"> <tr> <td>ISSUE</td> <td>DATE</td> <td colspan="2">DESCRIPTIONS</td> <td>APPD.</td> </tr> <tr> <td></td> <td></td> <td colspan="2">TITLE : VERTICAL SLIDE SWITCH</td> <td></td> </tr> <tr> <td></td> <td></td> <td colspan="2">MODEL: SS-22F39</td> <td></td> </tr> <tr> <td colspan="5">ALL MATERIALS MUST BE COMPLIANT TO ROHS</td> <td></td> </tr> </table>				ISSUE	DATE	DESCRIPTIONS		APPD.			TITLE : VERTICAL SLIDE SWITCH					MODEL: SS-22F39			ALL MATERIALS MUST BE COMPLIANT TO ROHS					
ISSUE	DATE	DESCRIPTIONS		APPD.																										
		TITLE : VERTICAL SLIDE SWITCH																												
		MODEL: SS-22F39																												
ALL MATERIALS MUST BE COMPLIANT TO ROHS																														
7						UNIT : MM	DRWG NO.: XJ-DR-SS22F39-00																							
6	SPRING	STEEL WIRE	2	TEMPER	WITHIN: 1.5±0.1mm	SCALE: 2 : 1	DWN.	ZHOUYU	2002-7-18																					
5	CONTACT CLIP	BRASS STRIP	2	Ag PLATED	OVER : 1.5±0.2mm		CHK'D	FANGYING	2002-7-18																					
4	TERMINAL	BRASS STRIP	6	Ag PLATED OVER Ni PLATED		APPD.	KANGXINAN	2002-7-18																						
3	BASE	PHENOLIC RESIN	1	BLACK																										
2	FRAME	STEEL STRIP	1	BLACK																										
1	KNOB	POM	1	BLACK																										